



# Submittal Data Sheet

## VSUB16 Variable Speed Universal Blower

Job Name: \_\_\_\_\_

Equipment Rep: \_\_\_\_\_

Contractor: \_\_\_\_\_

Prepared By: \_\_\_\_\_

Arch./Engr.: \_\_\_\_\_

Date: \_\_\_\_\_

**Description:**

The VSUB16 Variable Speed Universal Blower is suitable for providing combustion air or sidewall or vertically venting non-condensing (condensing applications require model VSUB16R with Ryton® coated impeller) heating appliances, dryers and ovens. Can be installed indoors or outdoors.

Use with the CPC-3 Constant Pressure Controller, Closed Loop VFD and TD-Series Pressure Transducer for an Automatic-Variable Speed system which will modulate to always deliver the perfect amount of draft or combustion air. For an Adjustable-Fixed Speed system, use an Open Loop VFD to manually adjust speed of the VSUB.

**Housing Construction:**

Constructed of 14-gauge, Type 316L stainless steel with continuous welds. The blower outlet rotates 180° for installation flexibility. The motor chassis slides away from the housing on polyethylene guides for easy motor and impeller access.

**Impeller:**

Backward inclined, high temperature coated, Class 1 impeller is both dynamically and statically balanced with permanently attached balancing weights.

**Motor:**

Three phase, 2 HP, 208-230/460 VAC, TEFC, EPACT High Efficiency Rated, arctic-duty, thermal overload protected, permanently lubricated and sealed ball bearing.

**Standard Equipment:**

- 4" x 4" weatherproof junction box with 4' conduit
- Square to round vent pipe adapter
- PSA-1 Fan Proving Switch
- FFP-1 Freeze and Fire Protection Limit (FFP-1 For combustion air applications only!)
- Condensate drain kit

**Optional Controls:**

- CPC-3 Constant Pressure Controller
- IPS-1 Indoor Pressure Sensor decorative cover, fittings
- TD-2 Pressure Transducer (+0.15" to -0.60" w.c.)  
For draft or "Sealed" (ducted sealed combustion air) sensing
- TD-3 Pressure Transducer (+0.10" to -0.10" w.c.)  
For "Open" (room pressure) combustion air sensing
- VFD-Series Variable Frequency Drives

**Temperature Rating:**

U.S. and Canada 575°F / 300°C

**Listings:**

ETL # 56826  
 UL 378 - Draft Equipment / Variable Speed  
 UL 705 - Power Ventilators  
 CSA-CAN3-B255-M81

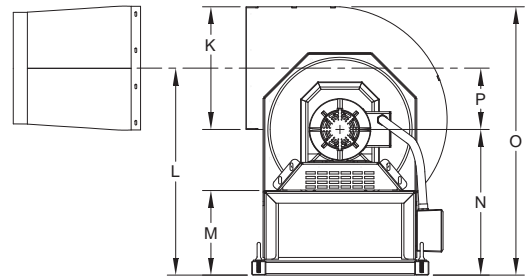


**Warranty:**

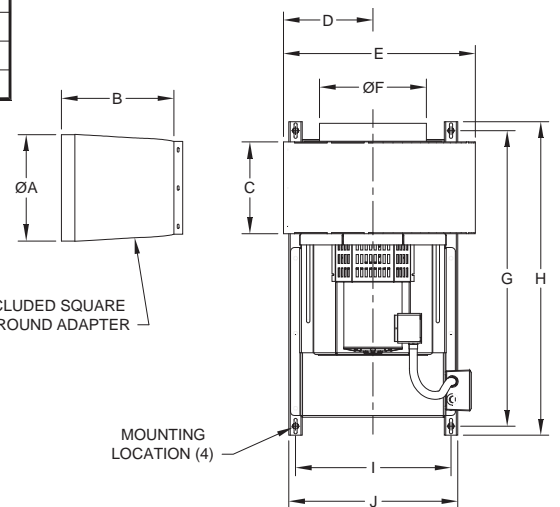
2 year mechanical

Model VSUB16		208-230 Volt	460 Volt
Power	hp	2	2
Amps	A	6.0 - 5.6	2.8
Voltage	VAC	3x208-230	3x460
Weight		285 Lbs. / 129 Kgs.	

	VSUB16
A	15 7/8"
B	14"
C	11 15/16"
D	13 5/16"
E	27 1/2"
F	15 7/8"
G	41 11/16"
H	43 11/16"
I	23 1/4"
J	24 3/4"
K	16"
L	26 13/16"
M	11 3/4"
N	18 7/8"
O	34 13/16"
P	7 15/16"



END VIEW



TOP VIEW